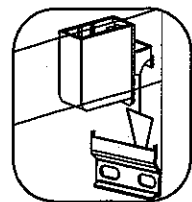
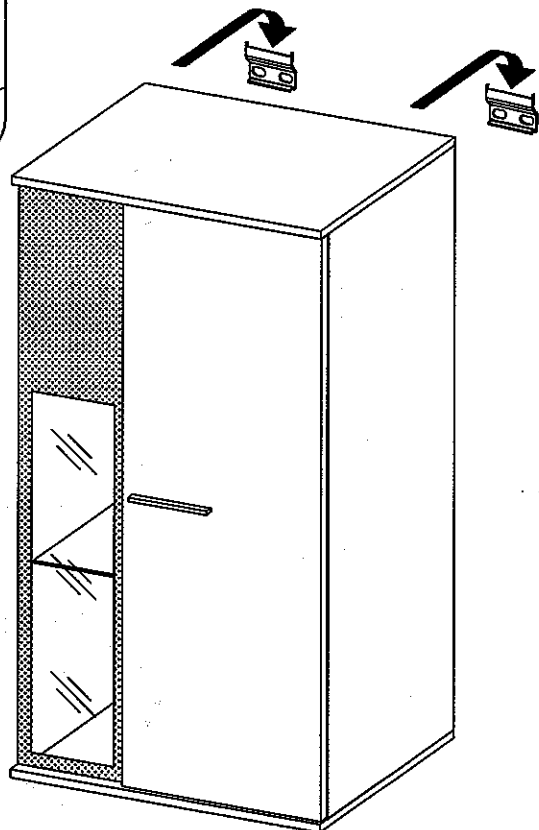
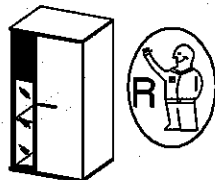
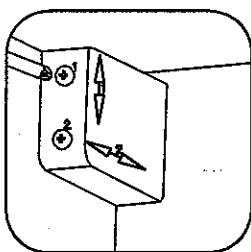
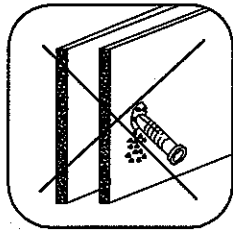
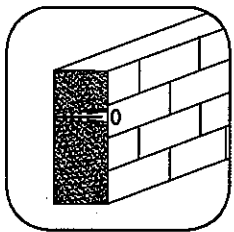
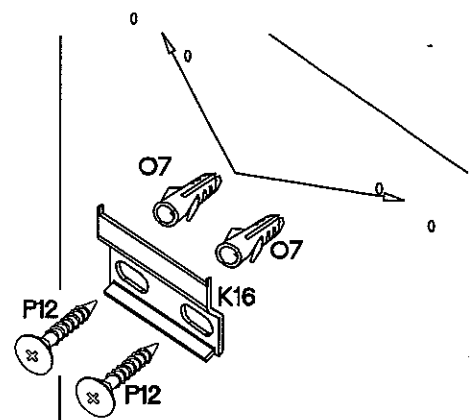
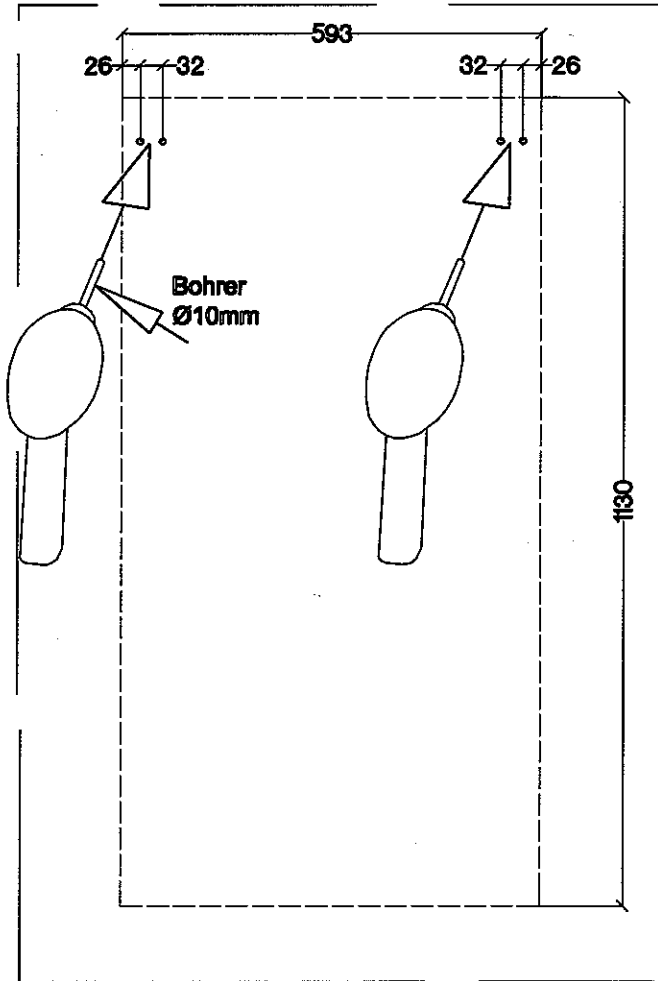
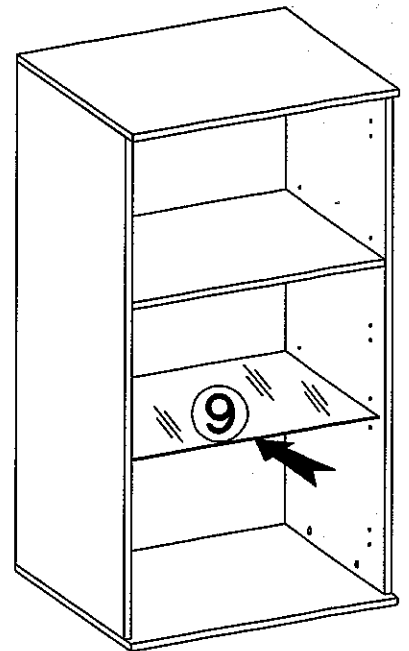
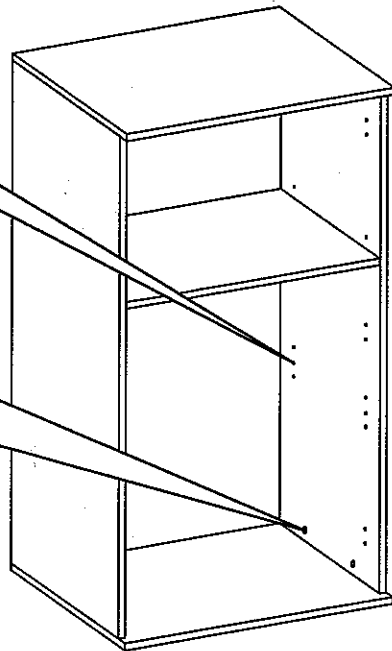
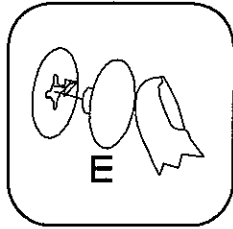
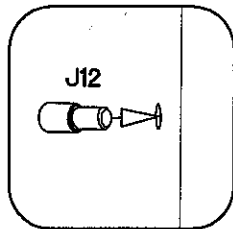


 P12 4	 O7 4	 K16 2
--------------	-------------	--------------

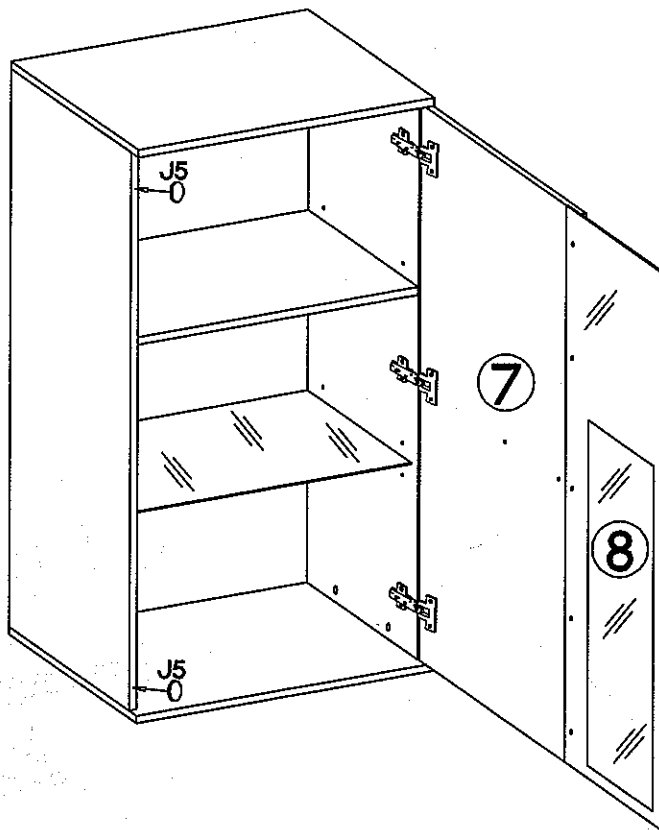
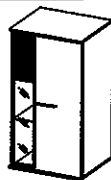


15

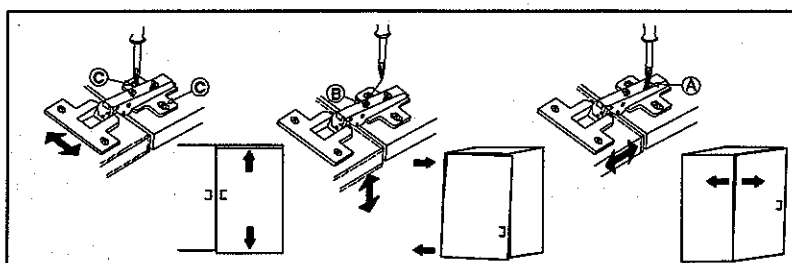
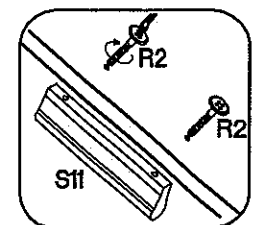
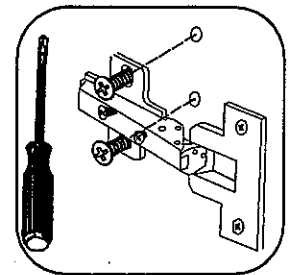


J12	E
4	12

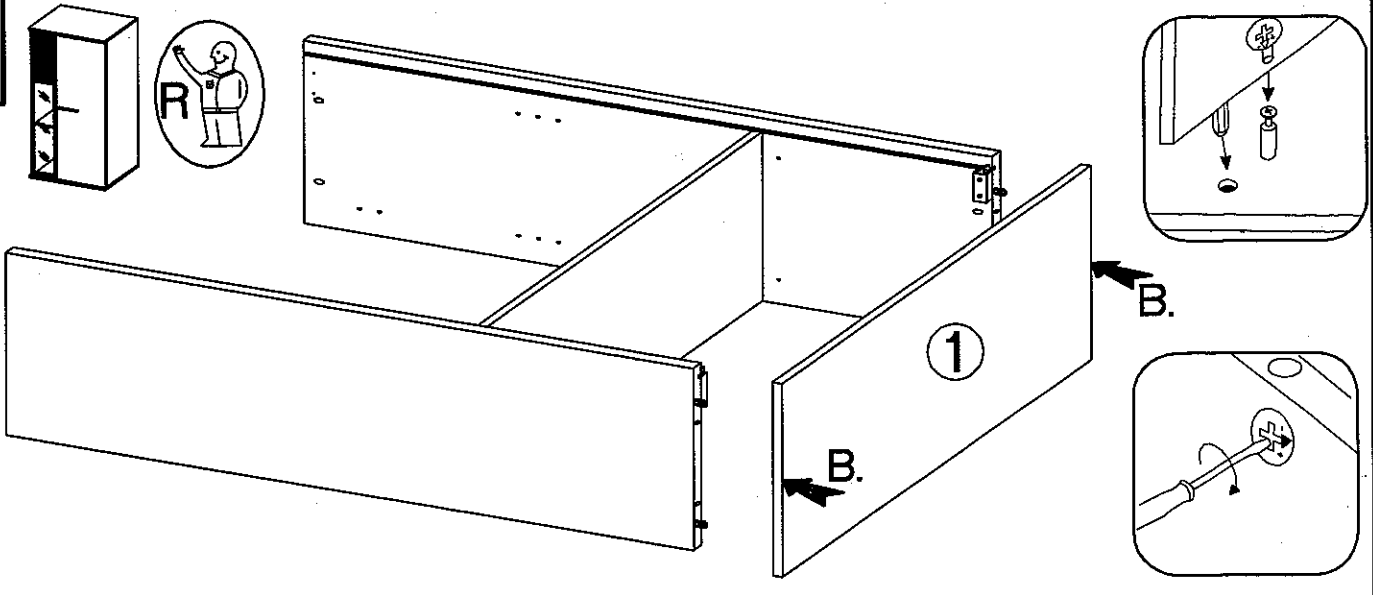
16



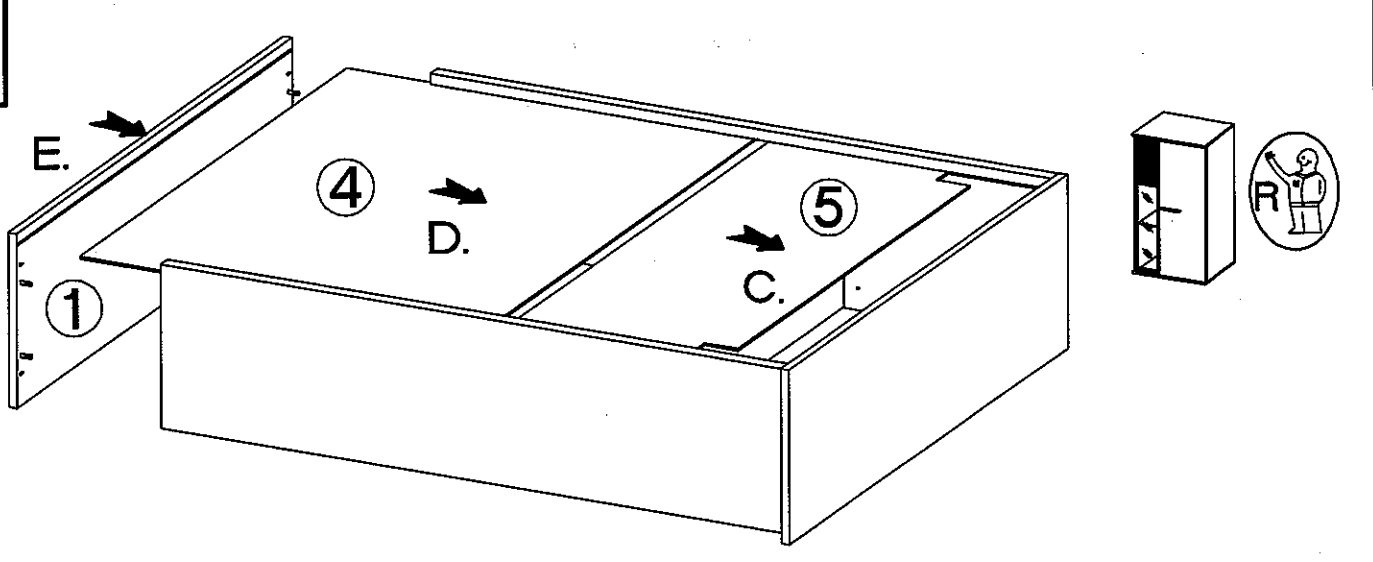
J5	R2	S11
2	2	1



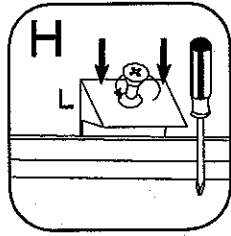
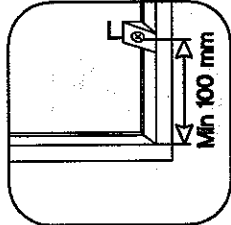
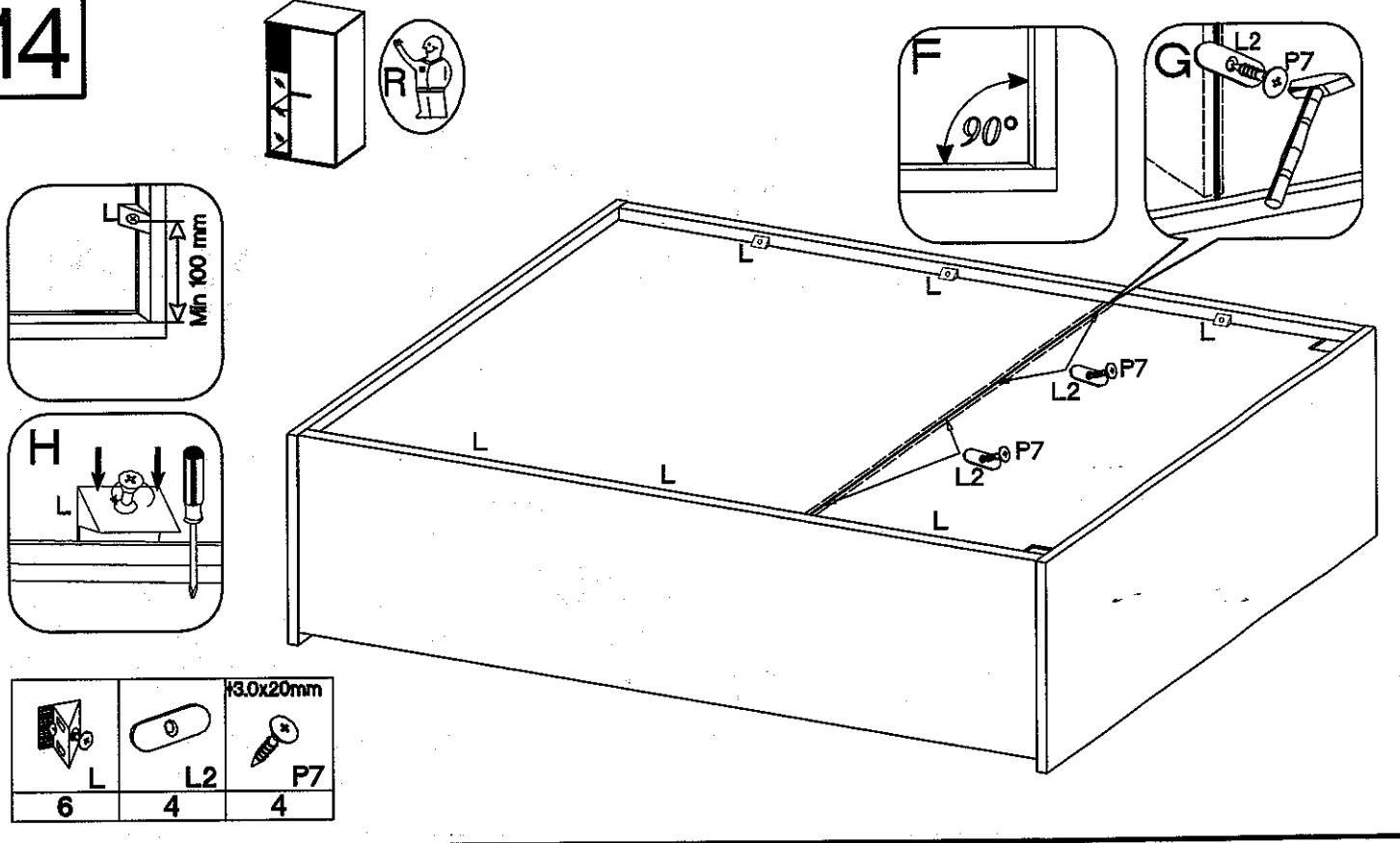
12



13

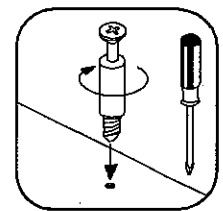
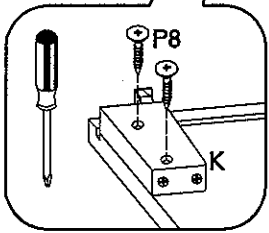
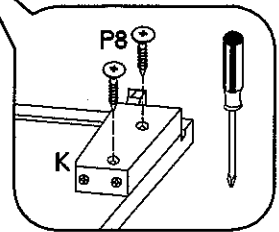
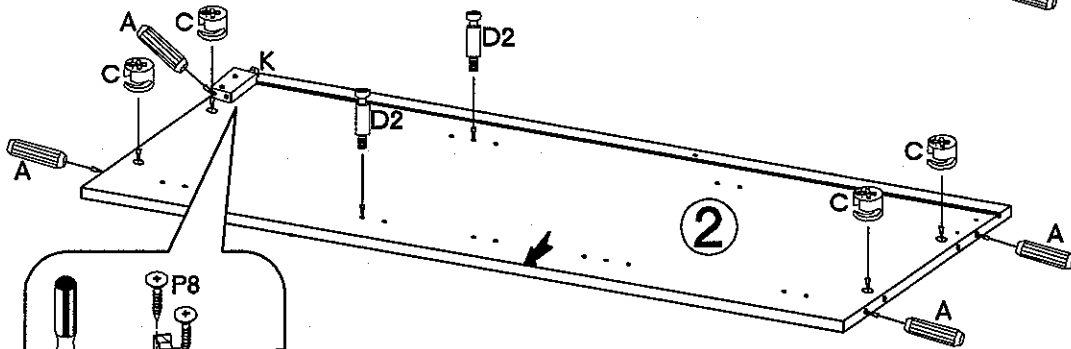
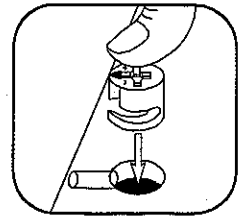
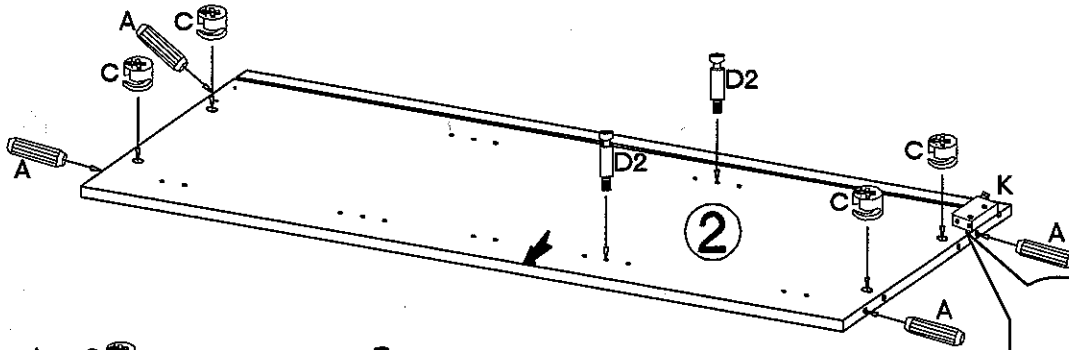
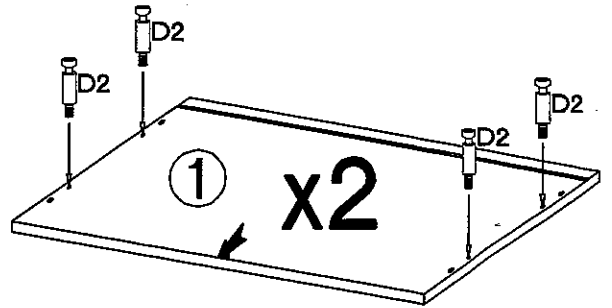
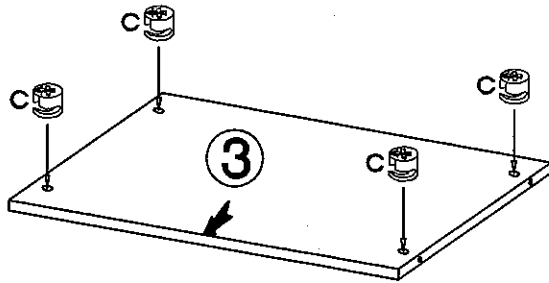
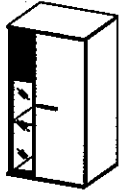


14



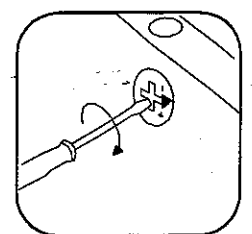
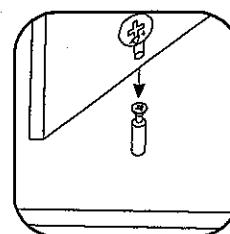
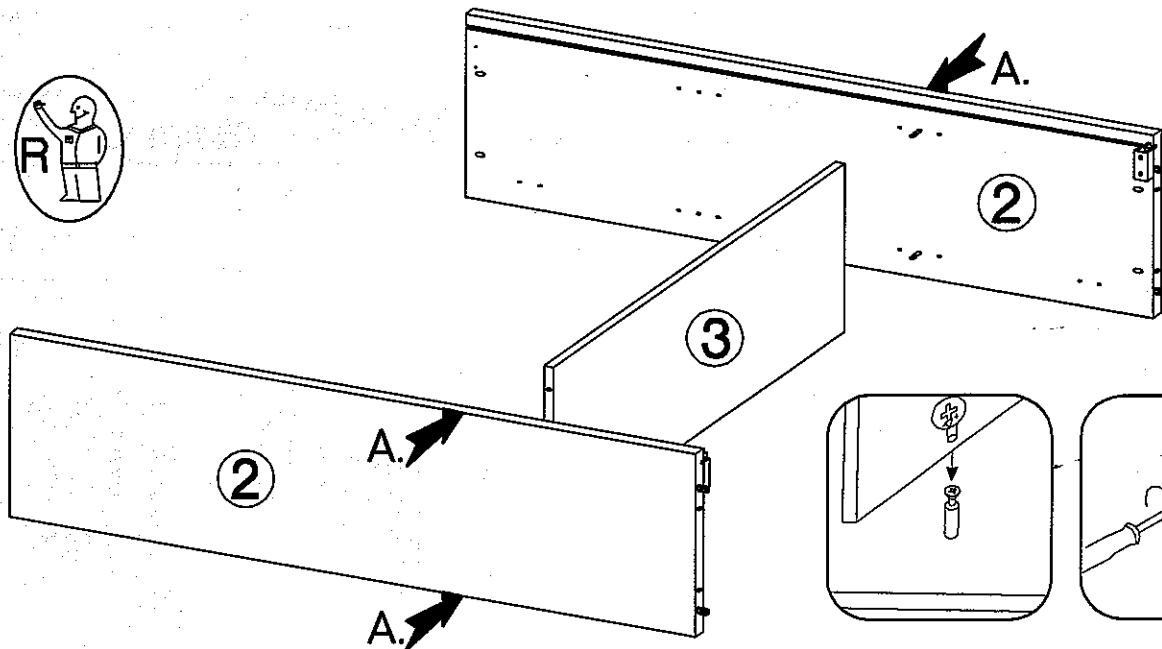
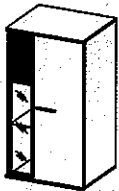
L	L2	P7
6	4	4

10

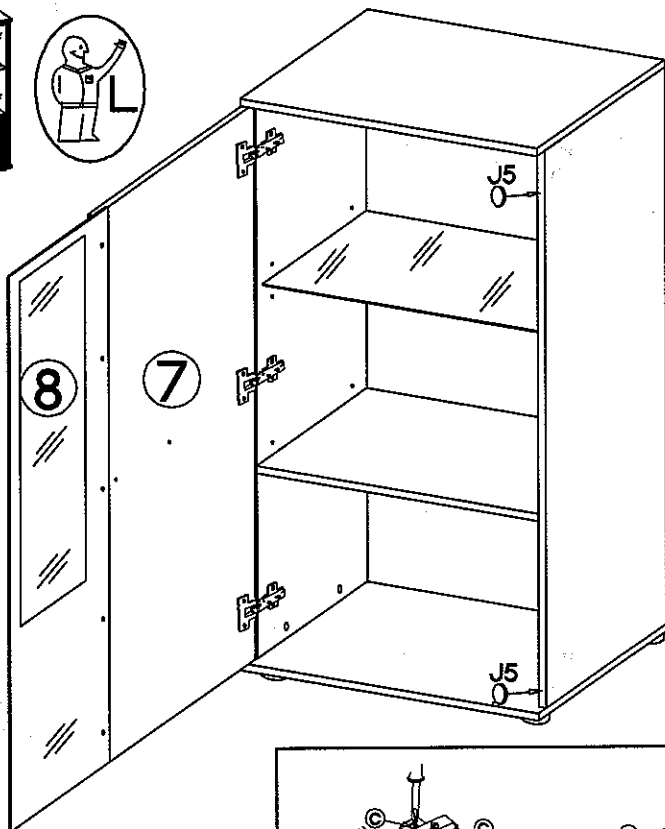
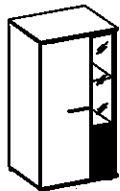


$\varnothing 5/12\text{mm}$	$\varnothing 8 \times 30\text{mm}$	L-20mm		$\varnothing 4.0 \times 30\text{mm}$
12	8	12	2	4

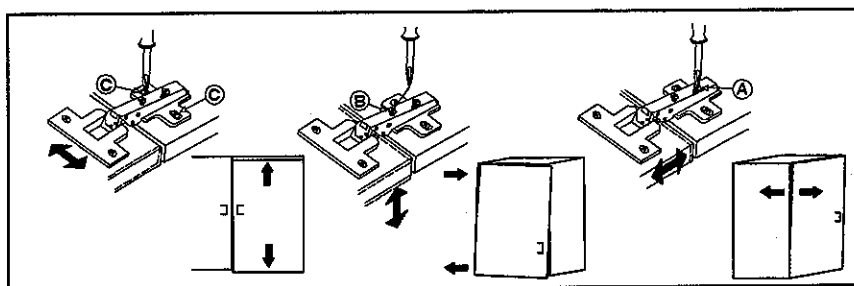
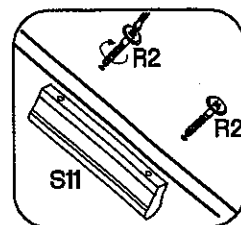
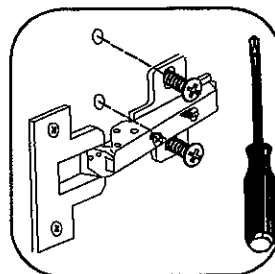
11



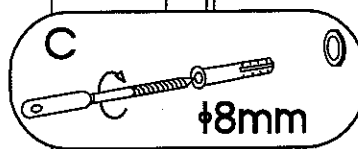
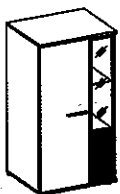
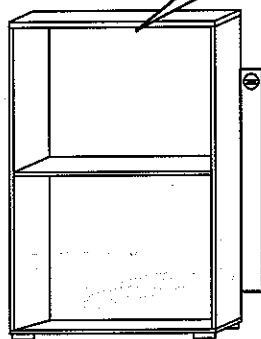
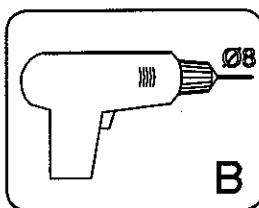
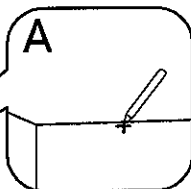
8



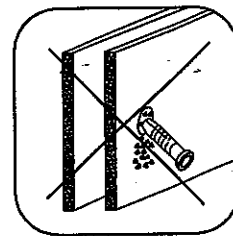
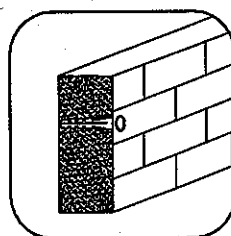
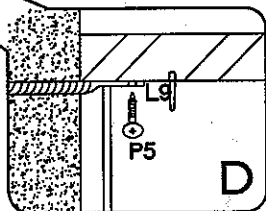
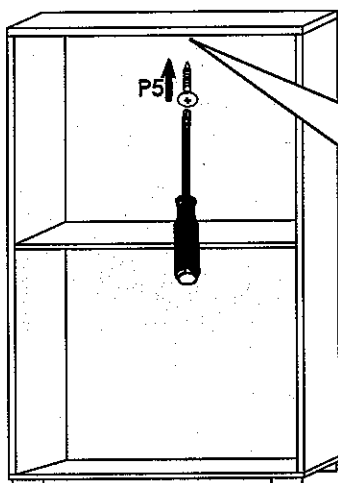
	4.0x30mm	L-128mm
J5	R2	S11
2	2	1



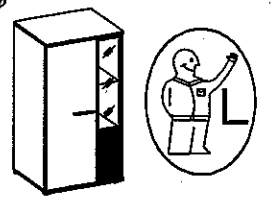
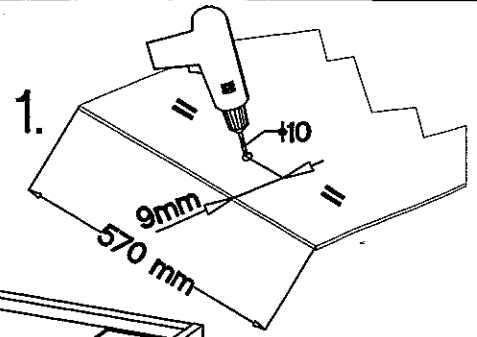
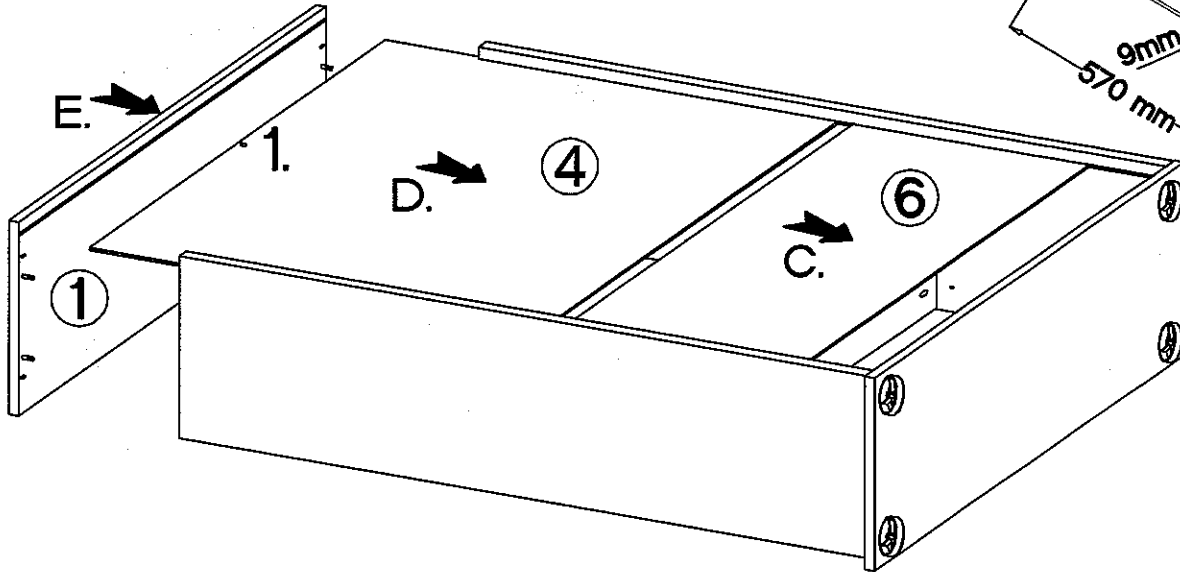
9



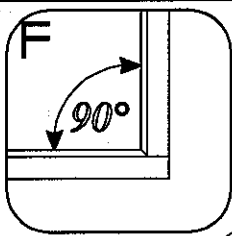
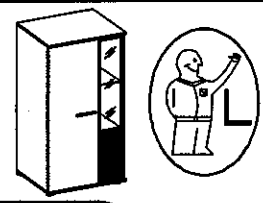
	4.5x13mm	10x50mm
L9	P5	O7
1	1	1



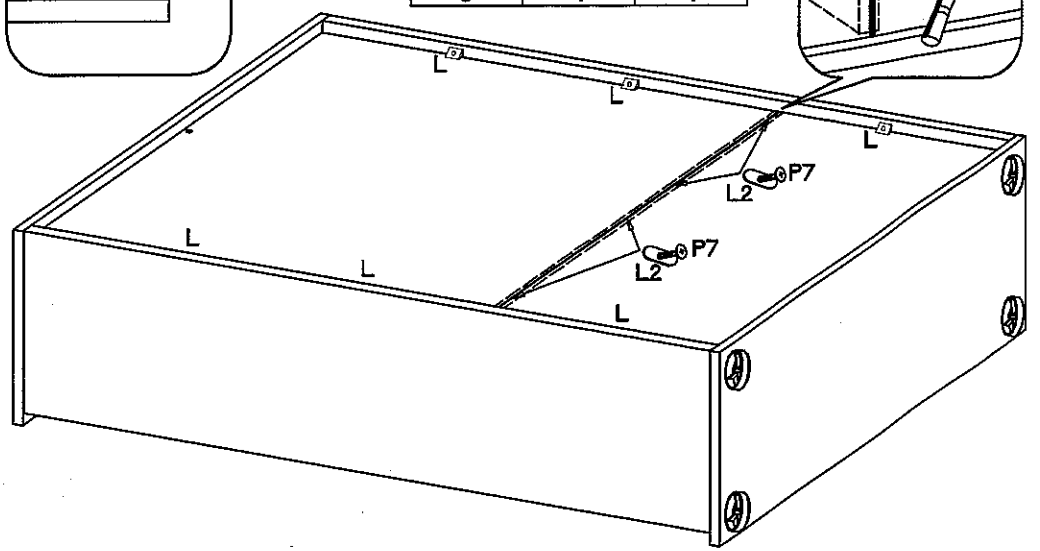
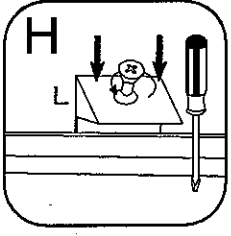
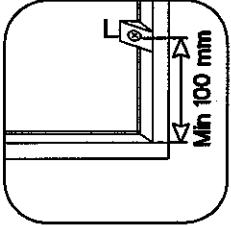
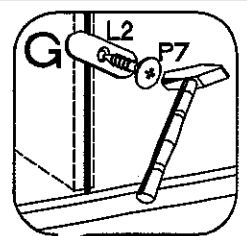
5



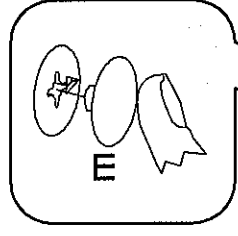
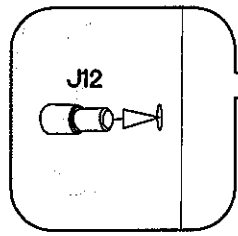
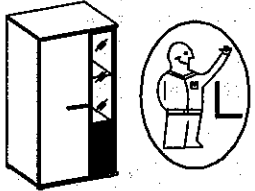
6



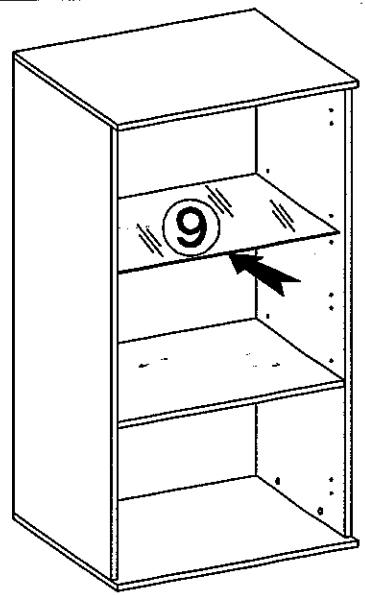
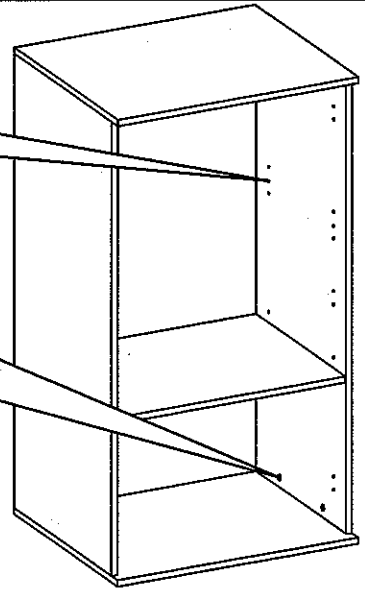
L	L2	P7
6	4	4

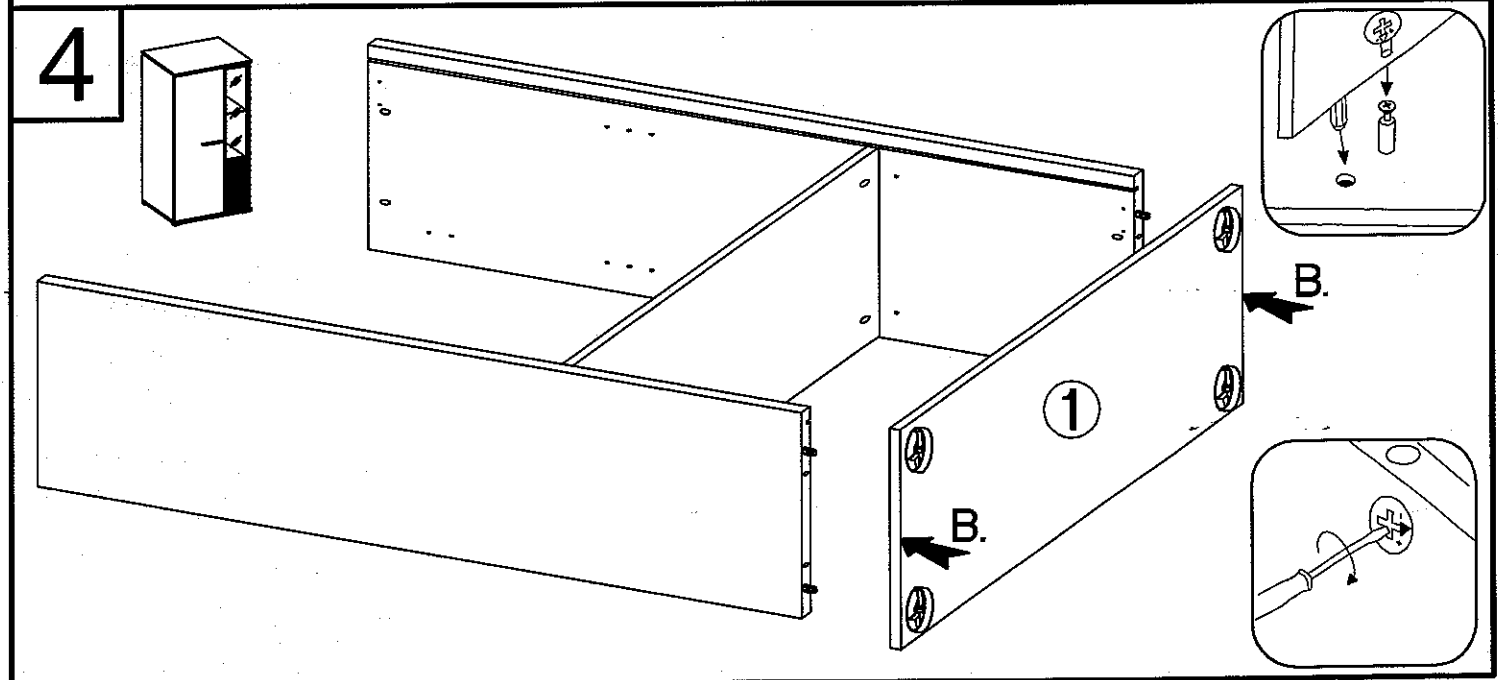
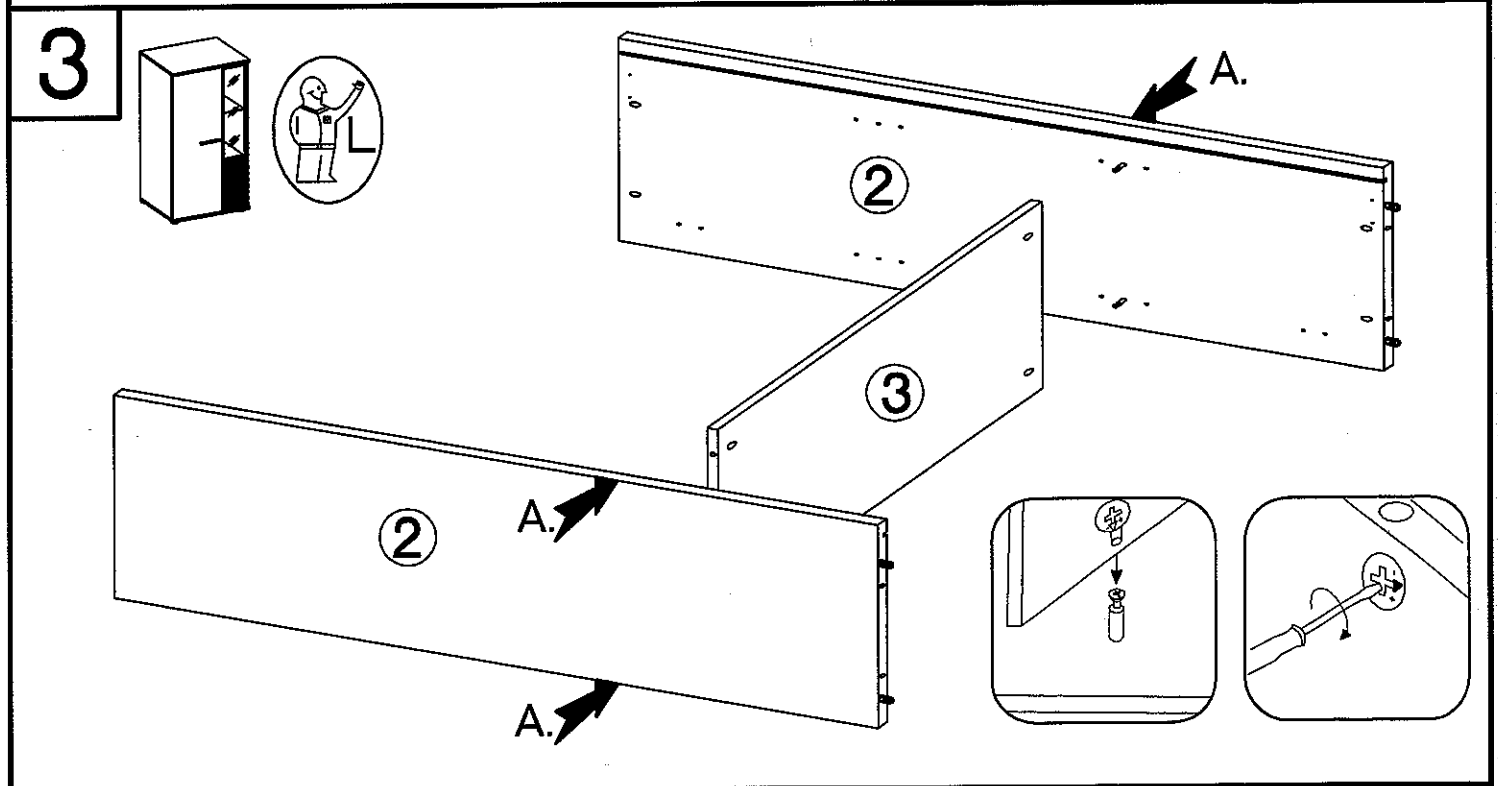
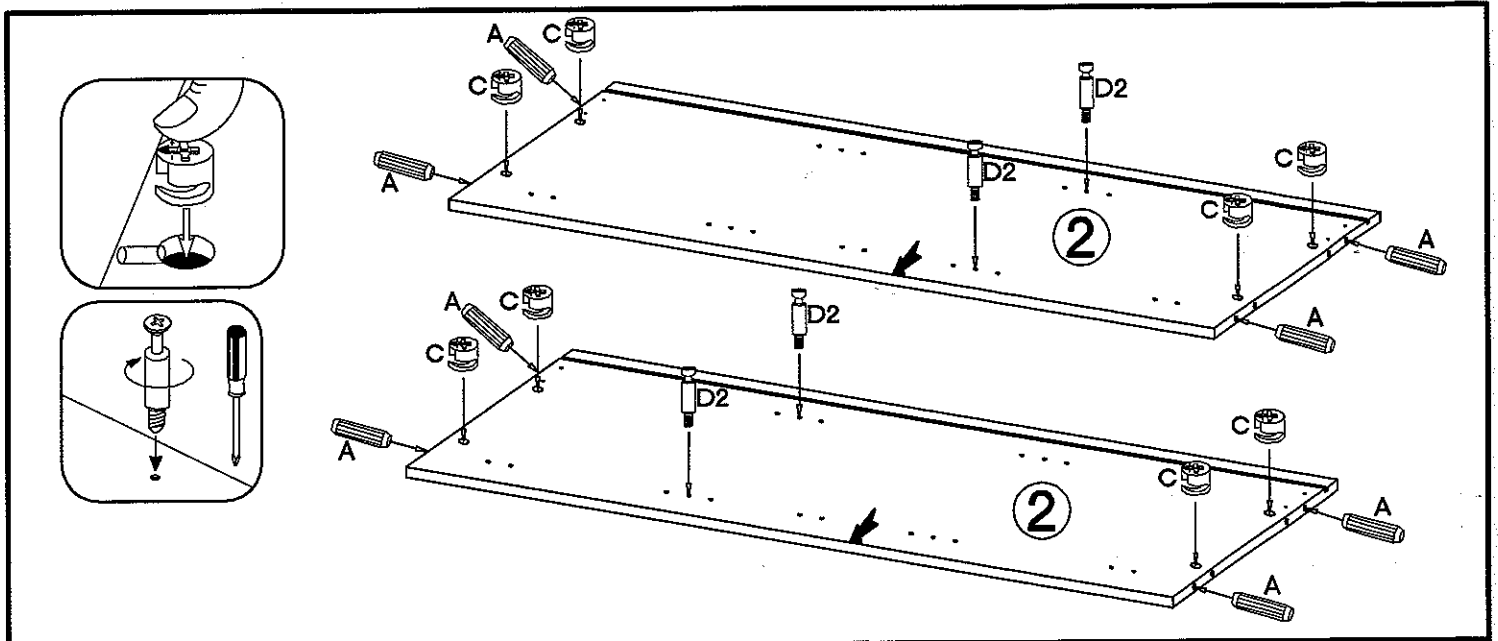


7

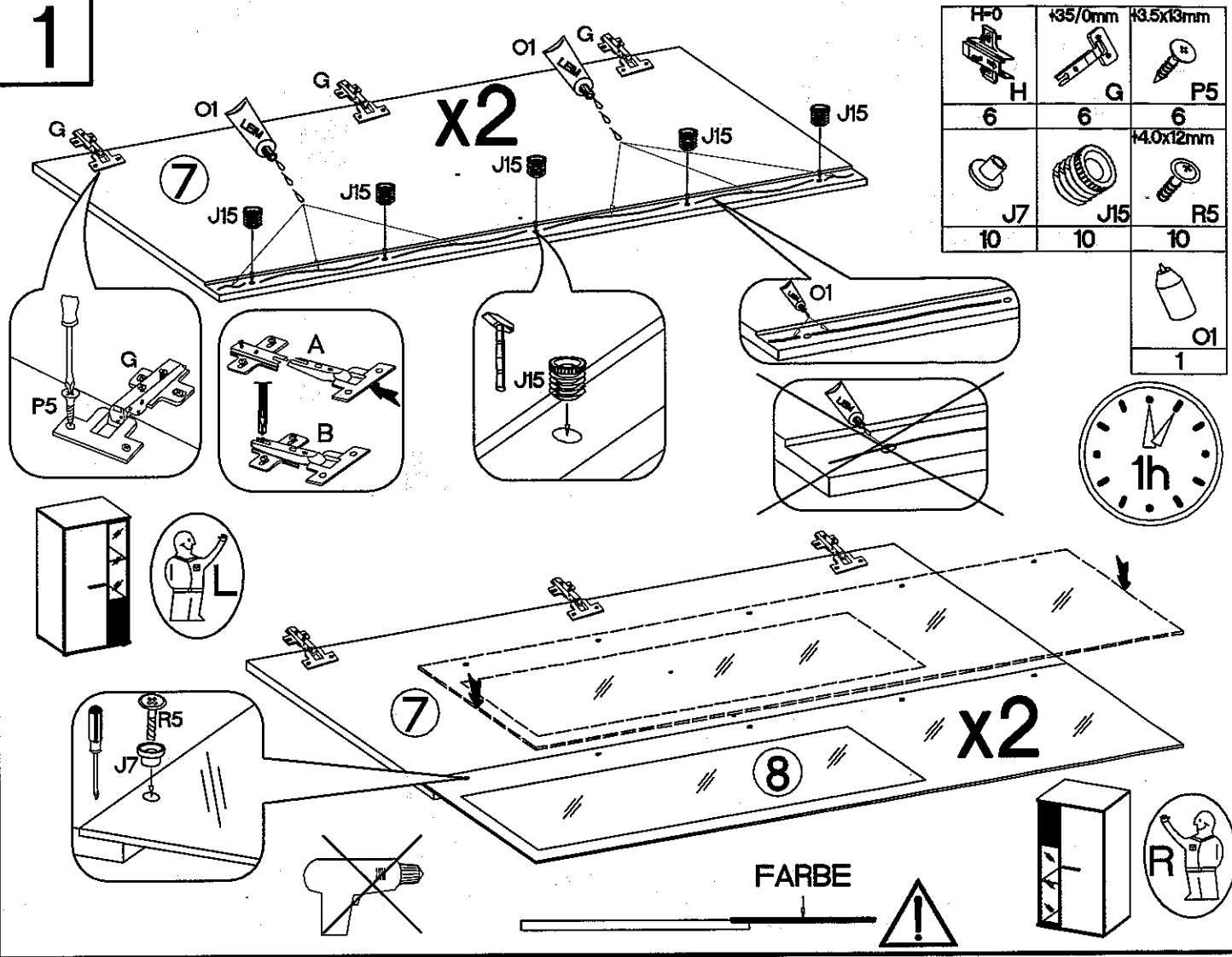


J12	E
4	12



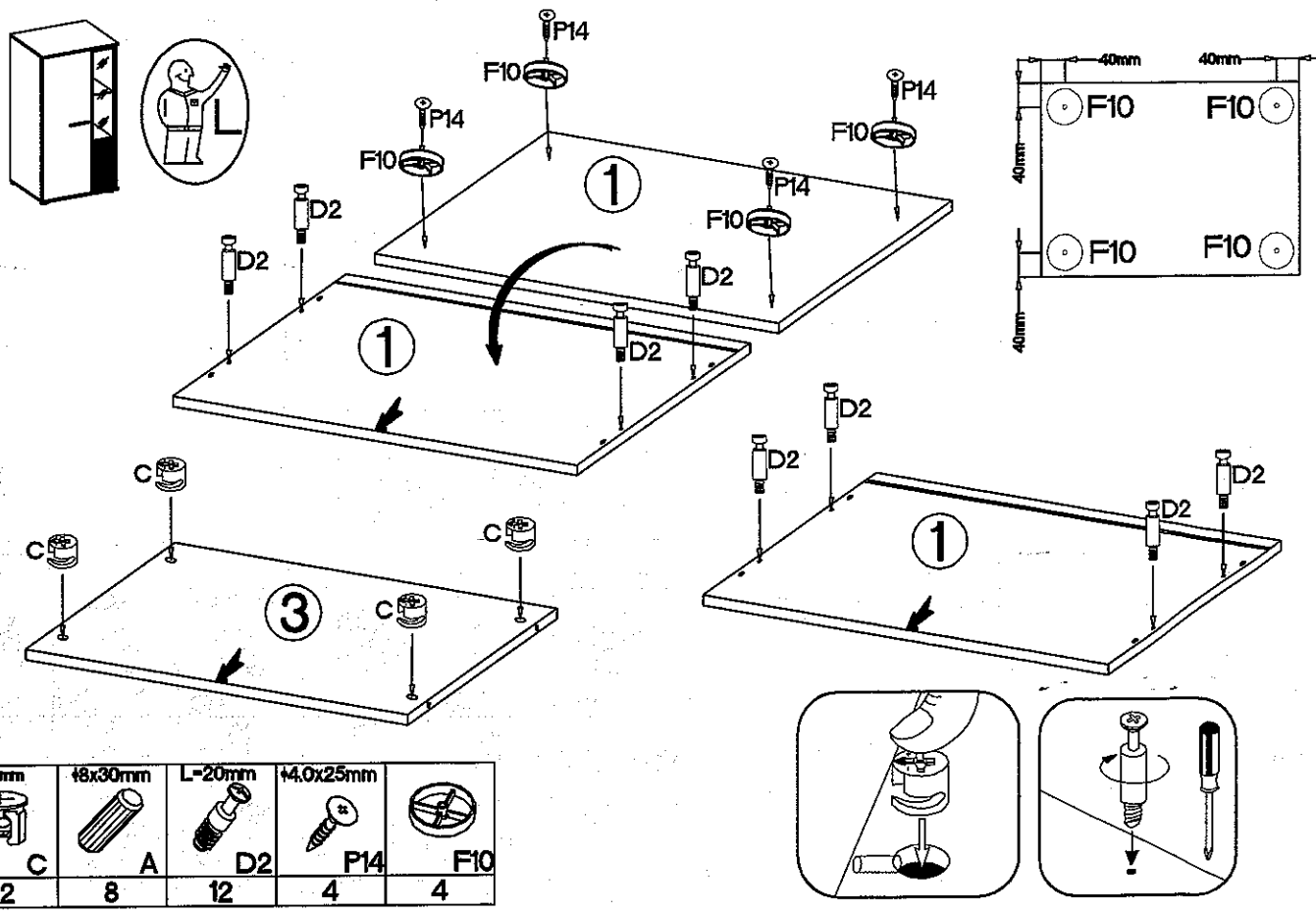


1

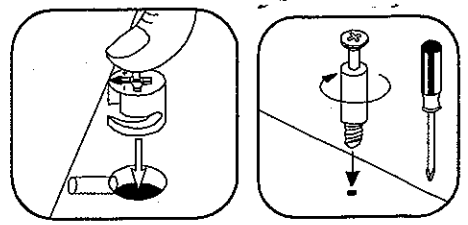


H-F0 6	+35/0mm 6	+3.5x13mm 6
J7 10	J15 10	R5 10
		O1 1

2

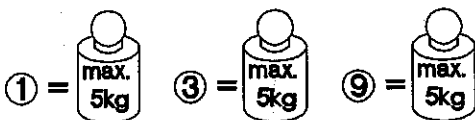
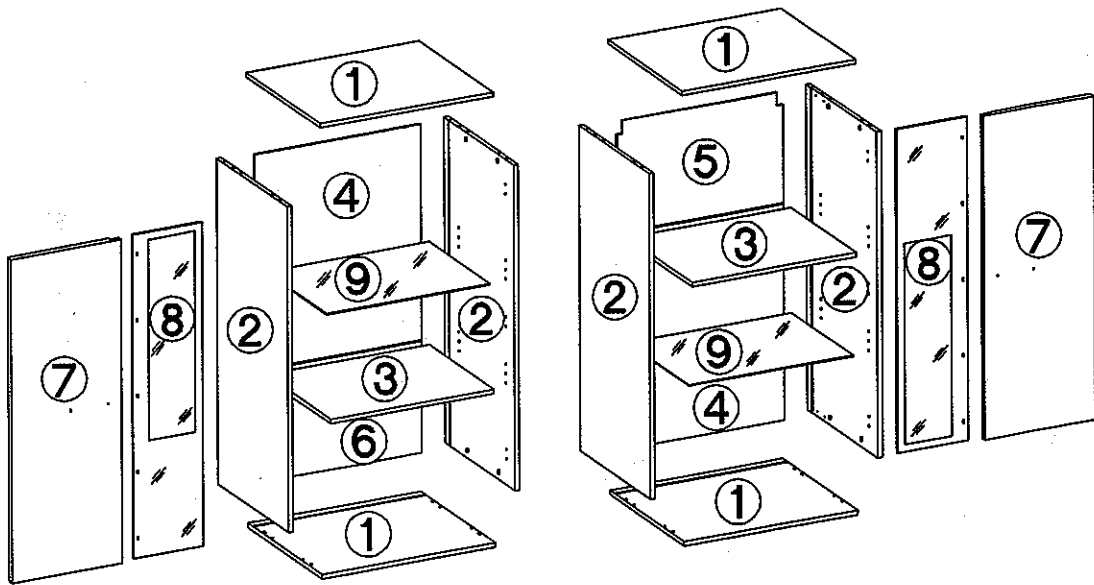
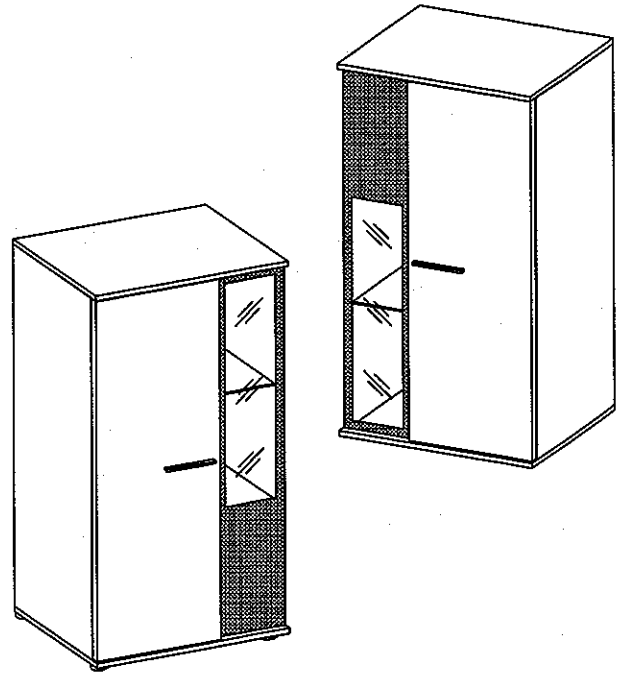


+15/12mm C 12	+8x30mm A 8	L=20mm D2 12	+4.0x25mm P14 4	F10 4
---------------------	-------------------	--------------------	-----------------------	----------



SALSA

Typ 031



 1B	 S11 2	 R2 4	 2B	 H=0 H 6	 H=0 G 6	 H=0 P5 12	 J5 4				
	 C 24	 A 16		 L=20mm D2 24	 P14 4	 F10 4		 J7 10	 J15 10	 R5 10	 0,05 O11 1
 3B	 P7 8	 L=12mm L2 8	 E 24	 J12 8	 K 2	 P8 4	 P5 1	 L9 1	 O7 5	 P12 4	 K16 2